



# PERSONAL FOUR GAS MONITOR

Gas Detection For Life

GX-2009 Model



Actual Size

**World's Smallest and Lightest  
4 Gas Monitor**

## Features

- Simultaneous detection of 4 gases
  - LEL, O<sub>2</sub>, H<sub>2</sub>S & CO
- Smallest/Lightest 4 gas monitor on the market
  - 2.7" H x 3" W x 1" D, 4.6 oz.
- Dual audible alarm ports (95 db @ 30 cm)
- 3 visual alarm LED's
- Vibration alarm
- IP-67 Water resistant/dustproof design
- Calibration and bump test lock out or reminder controls
- Large capacity data logging standard
  - 8 alarm trends
  - Log time range of 10 to 300 hours
  - 100 calibration records stored
- 20 hours of operation (NiMH batteries)
- Large LCD display screen
- Automatic backlighting at alarm
- Impact resistant rubber over-mold body
- STEL and TWA readouts
- Intrinsically safe, CSA, C/US classified IECEx /ATEX approved (optional MSHA version available)
- 2 year warranty

## Applications

- Personal monitoring
- Confined spaces
- Refineries/petrochemical
- Utilities
- Oil and Gas
- Water/wastewater
- Fire services
- Construction

RKI is proud to offer the smallest and lightest 4-gas monitor in the world, the GX-2009. Weighing only 4.6 ounces, it fits in the palm of your hand (2.75" H x 2.95" L x .98" D). The GX-2009 simultaneously monitors and displays combustibles, oxygen, carbon monoxide, and hydrogen sulfide. The GX-2009 represents the latest evolution of gas detection technology. Advancements include dual audible alarm ports and alarm LED's on 3 sides of the instrument, so that alarm conditions are obvious from multiple perspectives especially in high noise environments. Other features include a water resistant and dustproof design with IP 67 rating, an impact resistant rubber over-mold body that is RFI resistant, and a large capacity data logging system included as standard.

Other standard features are vibration alarm, auto-calibration, calibration and bump test lock out or reminder control, STEL / TWA readings, peak hold, auto backlighting at alarm on a large LCD display, and it even tells the time! All of these controls and features are operated through 2 simple glove friendly buttons. The NiMH battery set will operate for 20 hours and will fully charge in 3 hours.

A huge capacity data logging function is a standard feature on all GX-2009 instruments. The data logging software will store up to 100 calibration records and is Windows XP, 7, 8, and 10. The GX-2009 is also functional with the SDM-2009 single calibration station and the Data Cal 2000 instrument maintenance system.

The GX-2009 is designed around RKI's compact and proven sensors, utilizing catalytic combustion, electrochemical and galvanic sensor technologies. Each miniaturized sensor is manufactured with the same high quality control that has made RKI sensors and instruments the most reliable and long lasting monitoring devices in the industry.



Centro, Inc.  
www.centro-online.com  
Email: orders@centro-online.com  
Phone: Toll Free(855)223-6876  
Fax: (901)-357-1379

# GX-2009 Model

<b>Gas Detected</b>	Combustible Gases (Methane as standard)	Oxygen (O <sub>2</sub> )	Hydrogen Sulfide (H <sub>2</sub> S)	Carbon Monoxide (CO)
<b>Detection Principle</b>	Catalytic combustion	Galvanic cell	Electrochemical cell	
<b>Detection Range (Increments)</b>	0 ~ 100% LEL (1% LEL)	0 ~ 40.0% Vol. (0.1% Vol.)	0 ~ 100.0 ppm (0.5 ppm)	0 ~ 500 ppm (1 ppm)
<b>Accuracy Statement</b>	± 5% of reading or ± 2% LEL (whichever is greater)	± 0.5% O <sub>2</sub>	± 5% of reading or ± 2 ppm H <sub>2</sub> S (whichever is greater)	± 5% of reading or ± 5 ppm CO (whichever is greater)
<b>Sampling Method</b>	Diffusion sampling standard / hand aspirator or motorized pump optional			
<b>Display</b>	Digital LCD displays all four gases simultaneously, with auto backlight			
<b>Preset Alarms (User Adjustable)</b> <b>Overscale alarm (Non-adjustable)</b>	1st alarm 10% LEL 2nd alarm 50% LEL Over alarm 100% LEL	Low alarm 19.5% High alarm 23.5% Over alarm 40.0%	1st alarm 10 ppm 2nd alarm 30 ppm TWA alarm 1.0 ppm STEL alarm 5.0 ppm Over alarm 100 ppm	1st alarm 25 ppm 2nd alarm 50 ppm TWA alarm 25 ppm STEL alarm 200 ppm Over alarm 500 ppm
<b>Types of Alarms</b>	Gas Alarm: 2 Increasing alarms, STEL, TWA, overscale alarm. O <sub>2</sub> decreasing/increasing. Trouble alarm: Sensor disconnection, low battery, circuit error, calibration range error			
<b>Display of Alarm</b>	Gas Alarm: Flashing LEDs, intermittent buzzer (95 db @ 30 cm), flashing gas value, vibration Trouble alarm: Flashing LEDs, intermittent buzzer (95 db @ 30 cm), display of error message			
<b>Operating Temp. &amp; Humidity</b>	-4°F to 122°F (-20°C ~ +50°C), 0 to 95% RH, non-condensing (splash resistant)			
<b>Response Time</b>	Within 30 seconds (T <sub>90</sub> )			
<b>Continuous Operation</b>	20 hours after a 3 hour full charge (14 hours after 90 min charge)			
<b>Power Source</b>	Direct charging NiMH batteries, set of 2			
<b>Safety Design / Approvals</b>	IECEx zone 0 Ex ia IIC T4; ATEX II 1G Ex ia IIC T4; (optional MSHA version also available) c CSA US classified, as intrinsically safe. Class I, Division 1, Groups A, B, C, D			
<b>Dimension &amp; Weight</b>	2.7" H x 3" W x 1" D (Approx. 70 H x 75 W x 25 D mm), 4.6 ounces (approx. 130 g)			
<b>Case Material</b>	High impact over molded rubber. Dust and water resistant with IP-67 approval.			
<b>Controls</b>	Two buttons: POWER / MODE, AIR			
<b>Datalogging</b>	Standard with all instruments. Stores 8 alarm trend sessions where readings are recorded 30 minutes before and after an alarm event. 3,600 data point capacity with a log time range of 10 to 300 hours (based on programmable interval times); and stores up to 100 calibration records.			
<b>Required Accessories</b>	Battery charger			
<b>Standard Accessories</b>	Alligator clip ..... 13-0116RK NiMH batteries (set of 2) ..... 49-1609RK Charging station with 115/220 VAC power supply (also available without power supply, 49-2170RK) ..... 49-2170RK-01 Product CD (includes datalogging software) ..... 71-8002RK			
<b>Optional Accessories</b>	Belt Clip ..... 13-0117RK Padded carrying case for GX-2009 and accessories ..... 20-0112RK-01 Charging station, 115/220 VAC powered for 2, 3, 4, or 5 instruments ..... 49-2170RK-XX Charging station with 12 VDC power supply and vehicle adapter plug ..... 49-2171RK 12 VDC adapter with vehicle plug (does not include charger base) ..... 49-2020RK RP-2009 pump with 4" rubber nipple, 10' hose and probe (up to 40' hose available) ..... 81-1177RK RP-6 sample drawing pump with 10' hose and probe (up to 40' hose available) ..... 81-1166RK Hand aspirated sample draw with 10' hose and probe (up to 40' hose available) ..... 81-1160RK USB to IrDA downloading cable ..... 47-5084RK-01 SDM-2009 single calibration station ..... 81-SDM2009-01			
<b>Configurations</b>	• 4 gas, LEL / O <sub>2</sub> / H <sub>2</sub> S / CO • 2 gas, LEL / O <sub>2</sub> • Single gas LEL, O <sub>2</sub> , CO, H <sub>2</sub> S • 3 gas, LEL / O <sub>2</sub> / H <sub>2</sub> S • 2 gas, O <sub>2</sub> / H <sub>2</sub> S • 3 gas, LEL / O <sub>2</sub> / CO • 2 gas, O <sub>2</sub> / CO			
<b>Warranty</b>	Two years material and workmanship			

Specifications subject to change without notice.



## Authorized Distributor:



Centro, Inc.  
www.centro-online.com  
Email: orders@centro-online.com  
Phone: Toll Free(855)223-6876  
Fax: (901)-357-1379

# Detectable Gases

Measurable Gases	Symbol	TLV/TWA	Range	Diffusion Detector	Sample Draw	Portable
Acetic Acid	CH <sub>3</sub> COOH	1.5 PPM	30 PPM	–	GD-70D	–
Ammonia	NH <sub>3</sub>	25 PPM	75 PPM/400 PPM	GD-K88Ai-NH <sub>3</sub> / DC / S <sub>2</sub> / M2A	GD-70D	GX-6000 / EAGLE / EAGLE 2 / SC-01 / SP-220
Ammonia	NH <sub>3</sub>	25 PPM	1 PPM / 4 PPM	–	FP-311 / FP-310	–
Arsine	AsH <sub>3</sub>	0.05 PPM	0.2 / 1.5 PPM	DC / S <sub>2</sub> / M2A / GD-K88Ai-ASH <sub>3</sub>	GD-70D	EAGLE / EAGLE 2 / SC-01 / SP-220
Benzene	C <sub>6</sub> H <sub>6</sub>	0.5 PPM	various PPM	GD-A80V	GD-70D	EAGLE / EAGLE 2 / GX-6000
Boron Trichloride	BCl <sub>3</sub>	HCl C 5 PPM	15 PPM	GD-K88Ai-BCl <sub>3</sub>	GD-70D	EAGLE
Boron Trifluoride	BF <sub>3</sub>	HF C 3 PPM	9 PPM	–	GD-70D	EAGLE
Bromine	Br <sub>2</sub>	0.1 PPM	1 PPM	GD-K88Ai-BR <sub>2</sub>	GD-70D	EAGLE
Carbon Dioxide	CO <sub>2</sub>	5,000 PPM	2,000 PPM	RI-215A	RI-215D	–
Carbon Dioxide	CO <sub>2</sub>	5,000 PPM	5,000 PPM	RI-215A / DC / S <sub>2</sub> / M2A	RI-215D, 35-3001	EAGLE / EAGLE 2
Carbon Dioxide	CO <sub>2</sub>	5,000 PPM	10,000 PPM	RI-215A	RI-215D	EAGLE / EAGLE 2 / GX-6000
Carbon Dioxide	CO <sub>2</sub>	5,000 PPM	5%,20,50,60,100%	DC / S <sub>2</sub> / M2A	35-3001	EAGLE / EAGLE 2 / GX-6000
Carbon Monoxide	CO	25 PPM	30 / 75 / 150 PPM	GD-K88Ai-CO	GD-70D	SC-01 / SP-220
Carbon Monoxide	CO	25 PPM	300 / 500 PPM	EC-600 / DC / S <sub>2</sub> / M2A / M Series	35-3001-CO	CO-03 / EAGLE / EAGLE 2 / GX-6000 / GX-2012 / Gas Tracer / GX-2009
Chlorine	Cl <sub>2</sub>	0.5 PPM	3 PPM / 10 PPM	GD-K88Ai-CL <sub>2</sub> / DC / S <sub>2</sub> / M2A	GD-70D	EAGLE / EAGLE 2 / GX-6000 / SC-01
Chlorine Trifluoride	ClF <sub>3</sub>	0.1 PPM	0.6 PPM	–	GD-70D	EAGLE
Combustibles LEL	LEL	–	100% LEL	DC / S <sub>2</sub> / M2A / GD-A80 / PS <sub>2</sub>	35-3001 / GD-D58 / GD-70D	GP-03 / EAGLE / EAGLE 2 / GX-6000 / GX-2012 / Gas Tracer / GX-2009
Combustibles PPM	PPM	–	various PPM	GD-A80V	GD-70D, GD-D58V	EAGLE / EAGLE 2
Diborane	B <sub>2</sub> H <sub>6</sub>	0.1 PPM	0.3 PPM	GD-K88Ai-B <sub>2</sub> H <sub>6</sub>	GD-70D	EAGLE / SP-220
Dichlorosilane	DCS	HCl 5 PPM	15 PPM	GD-K88Ai-DCS	GD-70D	EAGLE
Disilane	Si <sub>2</sub> H <sub>6</sub>	5 PPM	15 PPM	GD-K88Ai-Si <sub>2</sub> H <sub>6</sub>	GD-70D	EAGLE
Fluorine	F <sub>2</sub>	1 PPM	3 PPM	–	GD-70D	EAGLE
Formaldehyde	HCHO	C 0.3 PPM	1 / 500 PPM	–	FP-330	FP-31 / SP-220
Germane	GeH <sub>4</sub>	0.2 PPM	0.2 / 0.8 PPM	–	GD-70D	SP-220
Halocarbons	HCFC	Various	0 ~ 5,000 (typ)	–	RI-257, GD-70D	–
Hexane	C <sub>6</sub> H <sub>14</sub>	–	2,000 PPM	GD-A80V	GD-70D, GD-D58V	EAGLE / EAGLE 2 / GX-6000
Hexane	C <sub>6</sub> H <sub>14</sub>	LEL = 1.1%	100% LEL	S <sub>2</sub> / GD-A80 / DC / M2A / PS <sub>2</sub>	35-3001 / GD-D58	GP-03 / EAGLE / EAGLE 2 / GX-6000 / GX-2012 / Gas Tracer / GX-2009
Hydrazine	N <sub>2</sub> H <sub>4</sub>	0.1 PPM	4 PPM	–	FP-310	–
Hydrocarbon LEL	LEL	–	100% LEL	M2A / S <sub>2</sub> / GD-A80 / DC / PS <sub>2</sub>	35-3001-LEL / GD-D58 / GD-70D	GP-03 / EAGLE / EAGLE 2 / GX-6000 / RX-8000 / GX-2012 / Gas Tracer / GX-2009
Hydrocarbon PPM	PPM	–	various PPM	GD-A80V	GD-70D / GD-D58V	EAGLE / EAGLE 2 / GX-6000
Hydrogen LEL	H <sub>2</sub>	LEL = 4%	100% LEL	DC / S <sub>2</sub> / M2A / GD-A80 / H <sub>2</sub> Specific / PS <sub>2</sub>	GD-70D / GD-D58	GP-03 / EAGLE / EAGLE 2 / GX-6000 / GX-2012 Gas Tracer / GX-2009
Hydrogen PPM	H <sub>2</sub>	–	10 / 2,000 PPM	H <sub>2</sub> Specific / GD-A88V-H <sub>2</sub> /S <sub>2</sub>	GD-70D / GD-D58V	EAGLE / EAGLE 2 / SP-220
Hydrogen Bromide	HBr	C 3 PPM	9 / 10 PPM	GD-K88Ai-HBR	GD-70D	EAGLE / SP-220
Hydrogen Chloride	HCl	C 5 PPM	10 / 15 PPM	GD-K88Ai-HCL	GD-70D	EAGLE / SP-220
Hydrogen Cyanide	HCN	STEL C 4.7 PPM	15 / 30 PPM	DC / S <sub>2</sub> / M2A / GD-K88Ai-HCN	GD-70D	EAGLE / EAGLE 2 (0-15 ppm) / GX-6000
Hydrogen Fluoride	HF	C 3 PPM	9 PPM	–	GD-70D	EAGLE
Hydrogen Iodide	HI	–	5 PPM	–	GD-70D	EAGLE
Hydrogen Sulfide	H <sub>2</sub> S	0.1 / 1 PPM	1 / 30 PPM	GD-K88Ai-H <sub>2</sub> S	GD-70D	EAGLE / SC-01 / SP-220
Hydrogen Sulfide	H <sub>2</sub> S	1 PPM	100 PPM	DC / S <sub>2</sub> / M2A / M-Series	35-3001-H <sub>2</sub> S	HS-03 / EAGLE / EAGLE 2 / GX-6000 / GX-2012 / GX-2009
Iodine	I <sub>2</sub>	STEL C 0.1 PPM	1 PPM	–	GD-70D	EAGLE
Isobutane	iC <sub>4</sub> H <sub>10</sub>	LEL = 1.8%	100% LEL	DC / S <sub>2</sub> / M2A / GD-A80 / PS <sub>2</sub>	35-3001 / GD-D58 / GD-70D	GP-03 / EAGLE / EAGLE 2 / GX-6000 / GX-2012 / Gas Tracer / GX-2009 / RX-8000
Isopropyl Alcohol (IPA)	CH <sub>3</sub> CHOHCH <sub>3</sub>	400 PPM	10 / 2,000 PPM	GD-A80V	GD-70D / GD-D58V	EAGLE / EAGLE 2 / GX-6000 / SP-220
Methane	CH <sub>4</sub>	LEL = 5%	100% LEL	DC / S <sub>2</sub> / M2A / GD-A80 / PS <sub>2</sub>	GD-70D / GD-D58	GP-03 / EAGLE / EAGLE 2 / GX-6000 / GX-2012 / Gas Tracer / GX-2009 RX-8000
Nitric Acid	HNO <sub>3</sub>	2 PPM	20 PPM	–	GD-70D	EAGLE
Nitric Oxide	NO	25 PPM	100 PPM	GD-K88Ai-NO	GD-70D	EAGLE
Nitrogen Dioxide	NO <sub>2</sub>	3 PPM	9 PPM / 15 PPM	GD-K88Ai-NO <sub>2</sub>	GD-70D	EAGLE / GX-6000
Nitrogen Tetraoxide	N <sub>2</sub> O <sub>4</sub>	NO <sub>2</sub> 3 PPM	15 PPM	–	GD-70D	EAGLE
Nitrogen Trifluoride	NF <sub>3</sub>	10 PPM	30 PPM	–	GD-70D	–
Octafluorocyclopentene	C <sub>5</sub> F <sub>8</sub>	–	5 PPM	–	FP-300AGZS	–
Oxygen	O <sub>2</sub>	–	25% / 40%	OX-600 / DC / S <sub>2</sub> / M2A	35-3001-OXY / GD-70D	OX-03 / EAGLE / EAGLE 2 / GX-6000 / GX-2012 / Gas Tracer / GX-2009 / RX-8000
Ozone	O <sub>3</sub>	0.1 PPM	0.6 PPM	GD-K88Ai-O <sub>3</sub>	GD-70D	EAGLE
Pentane	C <sub>5</sub> H <sub>12</sub>	LEL = 1.5%	100% LEL	DC / S <sub>2</sub> / M2A / GD-A80 / PS <sub>2</sub>	35-3001 / GD-D58	GP-03 / EAGLE / EAGLE 2 / GX-6000 / GX-2012 / Gas Tracer / GX-2009
Perfluorobutadiene	C <sub>4</sub> F <sub>6</sub>	–	5 PPM	–	FP-300AGZS	–
Phosphine	PH <sub>3</sub>	0.3 PPM	1 / 2 PPM	GD-K88Ai-PH <sub>3</sub> / DC / S <sub>2</sub> / M2A	GD-70D	EAGLE / EAGLE 2 / SC-01 / SP-220
Propane	C <sub>3</sub> H <sub>8</sub>	LEL = 2.1%	10 PPM / 100% LEL	DC / S <sub>2</sub> / M2A / GD-A80 / PS <sub>2</sub>	35-3001 / GD-D58 / GD-70D	GP-03 / EAGLE / EAGLE 2 / GX-6000 / GX-2012 / Gas Tracer / GX-2009 / SP-220
Silane	SiH <sub>4</sub>	5 PPM	0.5 / 15 PPM	GD-K88Ai-SiH <sub>4</sub>	GD-70D	EAGLE / SP-220
Silicon Tetrachloride	SiCl <sub>4</sub>	HCl C 5 PPM	15 PPM	GD-K88Ai-SiCl <sub>4</sub>	GD-70D	EAGLE
Silicon Tetrafluoride	SiF <sub>4</sub>	HF C 3 PPM	9 PPM	–	GD-70D	EAGLE
Sulfur Dioxide	SO <sub>2</sub>	.25 PPM	1/6/10/15/30 PPM	DC / S <sub>2</sub> / M2A / GD-K88Ai-SO <sub>2</sub>	GD-70D	EAGLE / EAGLE 2 / GX-6000 / SC-01 / SP-220
Sulfur Tetrafluoride	SF <sub>4</sub>	HF C 3 PPM	9 PPM	–	GD-70D	EAGLE
Tetraethyl Orthosilicate	TEOS	10 PPM	15 PPM	–	GD-70D	–
Trichlorosilane	TCS	HCl C 5 PPM	15 PPM	–	GD-70D	EAGLE
Trimethoxy Phosphate	TMP	2 PPM	15 PPM	–	GD-70D	–
Trimethoxyboron	TMB	–	500 PPM	–	GD-70D	–
Toluene	C <sub>6</sub> H <sub>5</sub> CH <sub>3</sub>	20 PPM	various PPM	GD-A80V	GD-70D / GD-D58V	EAGLE / EAGLE 2 / GX-6000
Tungsten Hexafluoride	WF <sub>6</sub>	HF C 3 PPM	9 PPM	–	GD-70D	EAGLE
1 1 1-Trichloroethane	C <sub>2</sub> H <sub>3</sub> Cl <sub>3</sub>	350 PPM	0 ~ 2,000 PPM	GD-A80V	GD-D58V	–
Volatile Organic Compound	VOCs	–	0-50 / 50-6000 PPM	–	–	EAGLE 2 / GX-6000

\*Other gases and ranges also available. Please call RKI Instruments at (800) 754-5165. DC = Direct Connect Sensors.

# Table of Contents

## Premier Portable Instruments

GX-2009 With 115 VAC Standard Charger .....	7
GX-2009 With 12 VDC Charger & Vehicle Plug .....	7
GX-2009 Four Gas Personal Monitor (Charger Not Included) .....	8
Replacement Sensors .....	8
GX-2009 MSHA With 115 VAC Standard Charger .....	9
GX-2009 MSHA With 12 VDC Charger & Vehicle Plug .....	9
GX-2009 MSHA Four Gas Personal Monitor (Charger Not Included) .....	9
GX-2009 Calibration Kits .....	10
SDM-2009 Calibration Station .....	11
GX-2009 Instrument Bundles (Instrument & Charger Included) .....	12
GX-2009 Accessory Bundles (Instrument & Charger Not Included) .....	12
GX-2009 Accessories & Replacement Parts .....	13
GX-2009 Accessories & Replacement Parts .....	14
RP-2009 Sample Drawing Pump For GX-2009 .....	15
RP-2009 Accessories & Replacement Parts .....	15



Centro, Inc.  
www.centro-online.com  
Email: orders@centro-online.com  
Phone: Toll Free(855)223-6876  
Fax: (901)-357-1379





## Product Warranty

9/1/2016

RKI Instruments, Inc. warrants gas alarm equipment sold by RKI to be free from defects in materials, workmanship, and performance for a period of one year\* from the date of shipment from RKI Instruments, Inc. (some products have 2 year or 3 year warranty, as listed below). Any parts found defective within that period will be repaired or replaced, at our option, free of charge. Parts must be returned to RKI Instruments, Inc. for repair or replacement. This warranty does not apply to those items which by their nature are subject to deterioration or consumption in normal service, or which must be cleaned, repaired or replaced on a routine basis.

Examples of such items are:

- a) . . . . . Pump diaphragms and valves
- b) . . . . . Fuses
- c) . . . . . Batteries
- d) . . . . . Filter elements
- e) . . . . . Scrubbers
- f) . . . . . Lamps

Warranty is voided by abuse including mechanical damage, alteration, rough handling, liquid exposure, corrosion from battery leakage or repair procedures not in accordance with instruction manual. This warranty indicates the full extent of our liability, and we are not responsible for removal or replacement costs, local repair costs, transportation costs, or contingent expenses incurred without our prior approval.

THIS WARRANTY IS EXPRESSLY IN LIEU OF ANY AND ALL OTHER WARRANTIES AND REPRESENTATIONS, EXPRESSED OR IMPLIED, AND ALL OTHER OBLIGATIONS OR LIABILITIES ON THE PART OF RKI INSTRUMENTS, INC. INCLUDING BUT NOT LIMITED TO, THE WARRANTY OF MERCHANTABILITY OR FITNESS FOR A PARTICULAR PURPOSE. IN NO EVENT SHALL RKI INSTRUMENTS, INC. BE LIABLE FOR INDIRECT, INCIDENTAL OR CONSEQUENTIAL LOSS OR DAMAGE OF ANY KIND CONNECTED WITH THE USE OF ITS PRODUCTS OR FAILURE OF ITS PRODUCTS TO FUNCTION OR OPERATE PROPERLY.

This warranty covers instruments and parts sold to users only by authorized distributors, dealers and representatives as appointed by RKI Instruments, Inc.

We do not assume indemnification for any accident or damage caused by the operation of this gas monitor and our warranty is limited to the replacement of parts or our complete goods. Warranty covers parts and labor performed at RKI Instruments, Inc. only, and does not cover field labor or shipment of parts back to RKI.

\* Warranty is one year for all products and parts except as indicated below:

**2 Year warranty:**

All Premier Portable instruments including EAGLE 1.  
Eagle 2 and GX-6000 instruments also have a 2 year warranty with the exception of the PID sensor, which is warranted for one year.

All Premier Portable instrument sensors including replacement sensors are warranted for 2 years. Sensors damaged by poisoning, contamination, overexposure, or left off bias are not warranted.

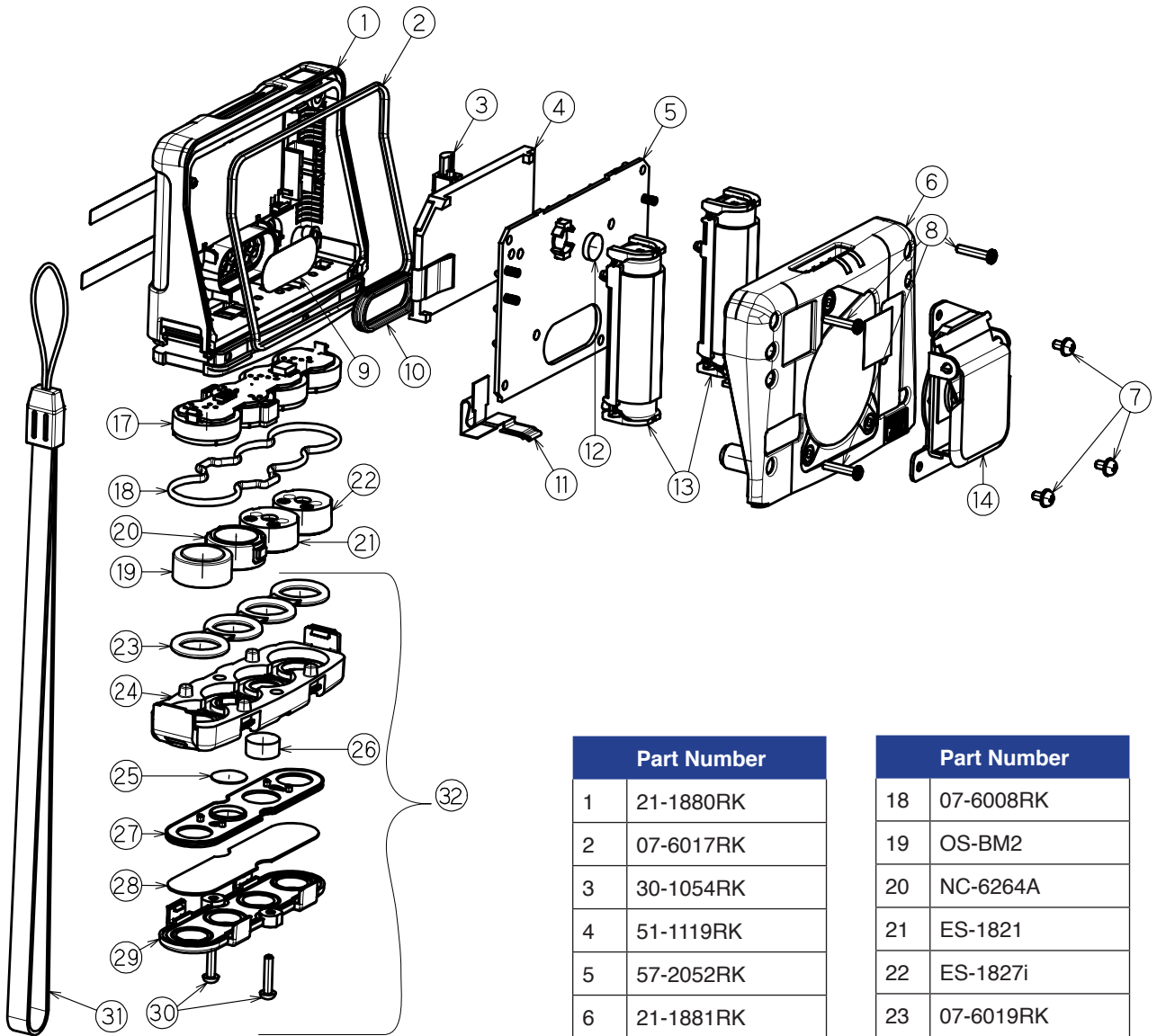
**3 Year warranty:**

HS-03 and CO-03 portable instruments have a 3 year warranty. Warranty covers instrument and original sensors for 3 years. Replacement sensors have a 2 year warranty.



# Premier Portables

## GX-2009



Part Number	
1	21-1880RK
2	07-6017RK
3	30-1054RK
4	51-1119RK
5	57-2052RK
6	21-1881RK
7	10-1098RK
8	10-1104RK
9	33-1113RK
10	07-6018RK
11	24-5000RK
12	49-1050RK
13	49-1609RK
14	13-0116RK
17	21-1883RK

Part Number	
18	07-6008RK
19	OS-BM2
20	NC-6264A
21	ES-1821
22	ES-1827i
23	07-6019RK
24	21-1882RK
25	33-7114RK
26	33-7102RK
27	07-6021RK
28	33-0172RK
29	21-1884RK
30	10-1104RK
31	13-0112RK
32	21-1885RK

# Premier Portable Instruments

## GX-2009 With 115 VAC Standard Charger

<b>Part#</b>	<b>Description</b>
72-0300RKC	GX-2009, 1 gas, LEL with alligator clip and 115 / 220 VAC charger .....
72-0302RKC	GX-2009, 1 gas, H2S with alligator clip and 115 / 220 VAC charger .....
72-0304RKC	GX-2009, 2 gas, LEL / O2 with alligator clip and 115 / 220 VAC charger ...
72-0305RKC	GX-2009, 2 gas, O2 / H2S with alligator clip and 115 / 220 VAC charger ...
72-0306RKC	GX-2009, 2 gas, O2 / CO with alligator clip and 115 / 220 VAC charger ...
72-0307RKC	GX-2009, 2 gas, LEL / H2S with alligator clip and 115 / 220 VAC charger...
72-0308RKC	GX-2009, 2 gas, LEL / CO with alligator clip and 115 / 220 VAC charger .....
72-0309RKC	GX-2009, 2 gas, H2S / CO with alligator clip and 115 / 220 VAC charger .....
72-0310RKC	GX-2009, 3 gas, LEL / O2 / H2S with alligator clip and 115 / 220 VAC charger .....
72-0311RKC	GX-2009, 3 gas, LEL / O2 / CO with alligator clip and 115 / 220 VAC charger .....
72-0312RKC	GX-2009, 3 gas, LEL / H2S / CO with alligator clip and 115 / 220 VAC charger .....
72-0313RKC	GX-2009, 3 gas, O2 / H2S / CO with alligator clip and 115 / 220 VAC charger .....
72-0314RKC	GX-2009, 4 gas, LEL / O2 / H2S / CO with alligator clip and 115 / 220 VAC charger



### **Instrument Price Includes**

13-0112RK	Wrist strap
49-0115RK	115 / 220 VAC Adapter for charger, GX-6000/GX-2009/GX-2012/Gas Tracer/EAGLE 2/GX-8000 (charger unit not included)
49-1609RK	NiMH battery set with hardware for GX-2009, set of 2 batteries
49-2170RK	Charging station base only, BC-2009
71-8002RK	Product CD, GX-2009, includes Product Training, Parts List, Data Logging Program, User Setup Program, Operators Manual, and Quick Reference Card

## GX-2009 With 12 VDC Charger & Vehicle Plug

<b>Part#</b>	<b>Description</b>
72-0300RKA	GX-2009, 1 gas, LEL with alligator clip, 12 VDC charger and vehicle plug .....
72-0304RKA	GX-2009, 2 gas, LEL / O2 with alligator clip, 12 VDC charger and vehicle plug .....
72-0305RKA	GX-2009, 2 gas, O2 / H2S with alligator clip, 12 VDC charger and vehicle plug .....
72-0306RKA	GX-2009, 2 gas, O2 / CO with alligator clip, 12 VDC charger and vehicle plug .....
72-0307RKA	GX-2009, 2 gas, LEL / H2S with alligator clip, 12 VDC charger, and vehicle plug .....
72-0308RKA	GX-2009, 2 gas, LEL / CO with alligator clip, 12 VDC charger, and vehicle plug .....
72-0309RKA	GX-2009, 2 gas, H2S / CO with alligator clip, 12 VDC charger, and vehicle plug .....
72-0310RKA	GX-2009, 3 gas, LEL / O2 / H2S with alligator clip, 12 VDC charger, and vehicle plug .....
72-0311RKA	GX-2009, 3 gas, LEL / O2 / CO with alligator clip, 12 VDC charger, and vehicle plug .....
72-0312RKA	GX-2009, 3 gas, LEL / H2S / CO with alligator clip, 12 VDC charger, and vehicle plug .....
72-0313RKA	GX-2009, 3 gas, O2 / H2S / CO with alligator clip, 12 VDC charger, and vehicle plug .....
72-0314RKA	GX-2009, 4 gas, LEL / O2 / H2S / CO with alligator clip, 12 VDC charger, and vehicle plug



### **Instrument Price Includes**

13-0112RK	Wrist strap
49-1609RK	NiMH battery set with hardware for GX-2009, set of 2 batteries
49-2020RK	12 VDC Adapter for charger with vehicle plug (charger base not included), GX-2009/GX-2012/Gas Tracer
49-2170RK	Charging station base only, BC-2009
71-8002RK	Product CD, GX-2009, includes Product Training, Parts List, Data Logging Program, User Setup Program, Operators Manual, and Quick Reference Card

# Premier Portable Instruments

## GX-2009 Four Gas Personal Monitor (Charger Not Included)



<b>Part#</b>	<b>Description</b>
72-0300RK	GX-2009, 1 gas, LEL with alligator clip, no charger .....
72-0304RK	GX-2009, 2 gas, LEL / O2 with alligator clip, no charger .....
72-0305RK	GX-2009, 2 gas, O2 / H2S with alligator clip, no charger .....
72-0306RK	GX-2009, 2 gas, O2 / CO with alligator clip, no charger .....
72-0307RK	GX-2009, 2 gas, LEL / H2S with alligator clip, no charger .....
72-0308RK	GX-2009, 2 gas, LEL / CO with alligator clip, no charger .....
72-0309RK	GX-2009, 2 gas, H2S / CO with alligator clip, no charger .....
72-0310RK	GX-2009, 3 gas, LEL / O2 / H2S with alligator clip, no charger .....
72-0311RK	GX-2009, 3 gas, LEL / O2 / CO with alligator clip, no charger .....
72-0312RK	GX-2009, 3 gas, LEL / H2S / CO with alligator clip, no charger .....
72-0313RK	GX-2009, 3 gas, O2 / H2S / CO with alligator clip, no charger .....
72-0314RK	GX-2009, 4 gas, LEL / O2 / H2S / CO with alligator clip, no charger .....

### Instrument Price Includes

13-0112RK	Wrist strap
49-1609RK	NiMH battery set with hardware for GX-2009, set of 2 batteries
71-8002RK	Product CD, GX-2009, includes Product Training, Parts List, Data Logging Program, User Setup Program, Operators Manual, and Quick Reference Card

### Replacement Sensors

<b>Part#</b>	<b>Description</b>
ES-1821	Sensor, Carbon Monoxide (CO) for GX-2009/GX-2012/GX-6000/CO-03/GasWatch 2/Gas Tracer .....
ES-1827i	Sensor, Hydrogen Sulfide (H2S) for GX-2009/GX-2012/GX-6000/HS-03/GasWatch 2 .....
OS-BM2	Sensor, Oxygen (O2) for GX-2009/GX-2012/GX-6000/GasWatch 2/OX-03/Gas Tracer.....
NC-6264A	Sensor, LEL, for GX-2009/GX-2012/GX-6000/GP-03/Gas Tracer .....
NC-6264AZX	Sensor, LEL, silicone resistant, for GX-2009/GX-2012/GX-6000/GX-2001/GX-2003/Gas Tracer/GP-01 .....



Centro, Inc.  
[www.centro-online.com](http://www.centro-online.com)  
 Email: [orders@centro-online.com](mailto:orders@centro-online.com)  
 Phone: Toll Free(855)223-6876  
 Fax: (901)-357-1379



# Premier Portable Instruments

## GX-2009 MSHA With 115 VAC Standard Charger

Part#	Description
72-0300-MSHA-C	GX-2009 MSHA, 1 gas, CH4 with alligator clip and 115 / 220 VAC charger .....
72-0304-MSHA-C	GX-2009 MSHA, 2 gas, CH4 / O2 with alligator clip and 115 / 220 VAC charger .....
72-0310-MSHA-C	GX-2009 MSHA, 3 gas, CH4 / O2 / H2S with alligator clip and 115 / 220 VAC charger .....
72-0311-MSHA-C	GX-2009 MSHA, 3 gas, CH4 / O2 / CO with alligator clip and 115 / 220 VAC charger .....
72-0314-MSHA-C	GX-2009 MSHA, 4 gas, CH4 / O2 / H2S / CO with alligator clip and 115 / 220 VAC charger .....



### Instrument Price Includes

13-0112RK	Wrist strap
49-0115RK	115 / 220 VAC Adapter for charger, GX-6000/GX-2009/GX-2012/Gas Tracer/EAGLE 2/GX-8000 (charger unit not included)
49-1609RK	NiMH battery set with hardware for GX-2009, set of 2 batteries
49-2170RK	Charging station base only, BC-2009
71-8002RK	Product CD, GX-2009, includes Product Training, Parts List, Data Logging Program, User Setup Program, Operators Manual, and Quick Reference Card

## GX-2009 MSHA With 12 VDC Charger & Vehicle Plug

Part#	Description
72-0300-MSHA-A	GX-2009 MSHA, 1 gas, CH4 with alligator clip, 12 VDC charger and vehicle plug .....
72-0304-MSHA-A	GX-2009 MSHA, 2 gas, CH4 / O2 with alligator clip, 12 VDC charger and vehicle plug .....
72-0310-MSHA-A	GX-2009 MSHA, 3 gas, CH4 / O2 / H2S with alligator clip, 12 VDC charger and vehicle plug .....
72-0311-MSHA-A	GX-2009 MSHA, 3 gas, CH4 / O2 / CO with alligator clip, 12 VDC charger and vehicle plug .....
72-0314-MSHA-A	GX-2009 MSHA, 4 gas, CH4 / O2 / H2S / CO with alligator clip, 12 VDC charger and vehicle plug .....



### Instrument Price Includes

13-0112RK	Wrist strap
49-1609RK	NiMH battery set with hardware for GX-2009, set of 2 batteries
49-2020RK	12 VDC Adapter for charger with vehicle plug (charger base not included), GX-2009/GX-2012/Gas Tracer
49-2170RK	Charging station base only, BC-2009
71-8002RK	Product CD, GX-2009, includes Product Training, Parts List, Data Logging Program, User Setup Program, Operators Manual, and Quick Reference Card

## GX-2009 MSHA Four Gas Personal Monitor (Charger Not Included)

Part#	Description
72-0300-MSHA	GX-2009 MSHA, 1 gas, CH4 with alligator clip, no charger .....
72-0304-MSHA	GX-2009 MSHA, 2 gas, CH4 / O2 with alligator clip, no charger .....
72-0310-MSHA	GX-2009 MSHA, 3 gas, CH4 / O2 / H2S with alligator clip, no charger .....
72-0311-MSHA	GX-2009 MSHA, 3 gas, CH4 / O2 / CO with alligator clip, no charger .....
72-0314-MSHA	GX-2009 MSHA, 4 gas, CH4 / O2 / H2S / CO with alligator clip, no charger .....



### Instrument Price Includes

13-0112RK	Wrist strap
49-1609RK	NiMH battery set with hardware for GX-2009, set of 2 batteries
71-8002RK	Product CD, GX-2009, includes Product Training, Parts List, Data Logging Program, User Setup Program, Operators Manual, and Quick Reference Card

# Premier Portable Instruments

## GX-2009 Calibration Kits

Instrument #	Cal-Kit Part #	Cal-Kit Description
72-0300RK 72-0300RKA 72-0300RKC 72-0304RK 72-0304RKA 72-0304RKC 72-0306RK 72-0306RKA 72-0306RKC 72-0308RK 72-0308RKA 72-0308RKC 72-0311RK 72-0311RKA 72-0311RKC	81-GX01CO       81-GX01CO-LV	Cal kit, GX-2001/GX-2009, 103L cyl Methane/CO/O2, reg with gauge & knob, cal cap, case & tubing       Cal kit, GX-2001/GX-2009, 34L cyl Methane/CO/O2, reg with gauge & knob, cal cap, case & tubing
72-0302RK 72-0302RKA 72-0302RKC	81-GX01HSO2-LV	Cal kit, GX-2001/GX-2009, 34AL cyl H2S/N2, reg with gauge & knob, cal cap, case & tubing
72-0305RK 72-0305RKA 72-0305RKC 72-0307RK 72-0307RKA 72-0307RKC 72-0309RK 72-0309RKA 72-0309RKC 72-0310RK 72-0310RKA 72-0310RKC 72-0312RK 72-0312RKA 72-0312RKC 72-0313RK 72-0313RKA 72-0313RKC 72-0314RK 72-0314RKA 72-0314RKC	81-GX01HSCO       81-GX01HSCO-LV	Cal kit, GX-2001/GX-2009, 58AL cyl Methane/H2S/CO/O2, reg with gauge & knob, cal cap, case & tubing       Cal kit, GX-2001/GX-2009, 34AL cyl Methane/H2S/CO/O2, reg with gauge & knob, cal cap, case & tubing
72-0307RK 72-0307RKA 72-0307RKC 72-0310RK 72-0310RKA 72-0310RKC 72-0312RK 72-0312RKA 72-0312RKC 72-0314RK 72-0314RKA 72-0314RKC	81-GX01HCOIB-LV	Cal kit, GX-2001/GX-2009, 34AL cyl Isobutane/H2S/CO/O2, reg with gauge & knob, cal cap, case & tubing



Centro, Inc.  
[www.centro-online.com](http://www.centro-online.com)  
 Email: [orders@centro-online.com](mailto:orders@centro-online.com)  
 Phone: Toll Free(855)223-6876  
 Fax: (901)-357-1379

# Premier Portable Instruments

## SDM-2009 Calibration Station



**ORDERING INFORMATION:** When ordering an SDM-2009 calibration station, please specify the following components:

- 1) Select the docking station part number based on your calibration needs (calibration gas cylinder, regulator, or unit only).
- 2) Select any other calibration gas cylinder you may need.

<b>Part#</b>	<b>Description</b>
81-SDM2009-01	Single point calibration station for GX-2009, model SDM-2009 with AC Adaptor, flash drive, USB cable, tubing & installation CD .....
81-SDM2009-02	Single point calibration station for GX-2009, model SDM-2009 with AC Adaptor, flash drive, USB cable, tubing, installation CD, & demand flow regulator .....
81-SDM2009-03	Single point calibration station for GX-2009, model SDM-2009 with AC Adaptor, flash drive, USB cable, tubing, installation CD, demand flow regulator & 58AL cyl H2S (25 ppm)/CO/CH4/O2 .....
81-SDM2009-06	Single point calibration station for GX-2009, model SDM-2009 with AC Adaptor, flash drive, USB cable, tubing, installation CD, demand flow regulator & 34AL cyl H2S (25 ppm)/CO/CH4/O2 .....

## SDM-2009 Calibration Gases & Equipment

<b>Part#</b>	<b>Description</b>
33-0167RK	Filter, particulate, CF-8369 .....
49-2058RK-04	AC adapter 4 port charger for SDM-2009, SDM-2012, and SDM-03 .....
81-0012RK-01	Cylinder, Methane, 50% LEL in Air, 34L .....
81-0018RK-01	Cylinder, isobutane 50% LEL in Air, 34L .....
81-0090RK-01	Cylinder, CO 50 ppm / Methane 50% LEL / O2 12 % in N2, 34L .....
81-0090RK-03	Cylinder, CO 50 ppm / Methane 50% LEL / O2 12 % in N2, 103L .....
81-0154RK-02	Cylinder, H2S 25 ppm / CO 50 ppm / CH4 50% LEL / O2 12% in N2, 58AL .....
81-0154RK-04	Cylinder, H2S 25 ppm / CO 50 ppm / CH4 50% LEL / O2 12% in N2, 34AL .....
81-0154RK-116	Cylinder, H2S 25 ppm / CO 50 ppm / CH4 50% LEL / O2 12% in N2, 116AL .....
81-0155RK-02	Cylinder, H2S 25 ppm / CO 50 ppm / HEX 15% LEL / O2 12% in N2, 58AL .....
81-0155RK-04	Cylinder, H2S 25 ppm / CO 50 ppm / HEX 15% LEL / O2 12% in N2, 34AL .....
81-0158RK-02	Cylinder, H2S 25 ppm / CO 50 ppm / isobutane 50% LEL / O2 12% in N2, 58AL .....
81-0158RK-04	Cylinder, H2S 25 ppm / CO 50 ppm / isobutane 50% LEL / O2 12% in N2, 34AL .....
81-1054RK	Regulator, demand flow for 34AL/58AL/103L .....
81-1055RK	Regulator, demand flow for 17L/34L steel cylinders .....
82-6002	PC Controller with ethernet networking kit for SDM-2009, SDM-2012, and SDM-03 calibrations stations, 11.5 inch screen 64 bit Windows 7 Professional pc with SDM PC Controller software installed and 6' ethernet cable .....
82-6050RK	USB Hub, 4 port 2.0 for SDM-2012 .....
82-6051RK	USB Hub, 7 port 2.0 for SDM-2012 .....
82-6105RK	USB flash drive, 1 GB, for calibration stations .....



Centro, Inc.  
[www.centro-online.com](http://www.centro-online.com)  
 Email: [orders@centro-online.com](mailto:orders@centro-online.com)  
 Phone: Toll Free (855)223-6876  
 Fax: (901)-357-1379

# Premier Portable Instruments

## GX-2009 Instrument Bundles (Instrument & Charger Included)

### 115 VAC Versions

<b>Part#</b>	<b>Description</b>
72-0314RKC-50	Confined space kit including a GX-2009 with 115 VAC charger, screwdriver, and small padded case .....
72-0314RKC-51	Confined space kit including a GX-2009 with 115 VAC charger, screwdriver, padded case, hand aspirator assembly with 10' hose, and probe .....
72-0314RKC-52	Confined space kit including a GX-2009 with 115 VAC charger, hand aspirator assembly with 10' hose, probe, 34AL cyl H2S (25 ppm)/CO/O2/CH4, reg with gauge & knob, screwdriver, padded case, calibration cap, and cal tubing .....
72-0314RKC-56	Confined space kit including a GX-2009 with 115 VAC charger, 34AL cyl H2S (25 ppm)/CO/O2/CH4, reg with gauge & knob, screwdriver, padded case, and cal tubing .....
72-0314RKC-58	Confined space kit including a GX-2009 with 115 VAC charger, RP-2009, screwdriver, and padded case .....
72-0314RKC-59	Confined space kit including a GX-2009 with 115 VAC charger, RP-2009, calibration cap, 34AL cyl H2S (25 ppm)/CO/O2/CH4, reg with gauge & knob, screwdriver, padded case, and cal tubing .....



72-0314RKC-59

### 12 VDC Versions

<b>Part#</b>	<b>Description</b>
72-0314RKA-50	Confined space kit including a GX-2009 with 12 VDC charger, and small padded case .....
72-0314RKA-51	Confined space kit including a GX-2009 with 12 VDC charger, padded case, hand aspirator assembly with 10' hose, and probe .....
72-0314RKA-52	Confined space kit including a GX-2009 with 12 VDC charger, hand aspirator assembly with 10' hose, probe, 34AL cyl H2S/CO/O2/CH4, reg with gauge & knob, padded case, calibration cap, and cal tubing .....
72-0314RKA-56	Confined space kit including a GX-2009 with 12 VDC charger and vehicle plug, calibration cap, 34AL cyl H2S (25 ppm)/CO/O2/CH4, reg with gauge & knob, screwdriver, padded case, and cal tubing .....
72-0314RKA-58	Confined space kit including a GX-2009 with 12 VDC charger and vehicle plug, RP-2009, screwdriver, and padded case .....
72-0314RKA-59	Confined space kit including a GX-2009 with 12 VDC charger and vehicle plug, RP-2009, calibration cap, 34AL cyl H2S (25 ppm)/CO/O2/CH4, reg with gauge & knob, screw driver, padded case, and cal tubing .....

## GX-2009 Accessory Bundles (Instrument & Charger Not Included)

GX-2009 Accessory Bundles include padded carrying case, and either a hand aspirator or a battery operated pump. **Instrument and charger sold separately.**

### Hand aspirator sample kit

<b>Part#</b>	<b>Description</b>
81-2100RK	Confined space kit includes padded case, hand aspirator assembly with 10' hose, and probe (instrument and charger sold separately) .....
81-2123RK	Confined space kit with hand aspirator assembly with 10' hose, probe, 34AL H2S (25 ppm)/CO/O2/CH4, reg, padded case, calibration cap, and cal tubing (instrument and charger sold separately) .....

### RP-2009 sample pump kit for GX-2009

<b>Part#</b>	<b>Description</b>
81-2120RKA	Confined space kit includes padded case, RP-2009 pump, 10' hose, and probe (instrument and charger sold separately) .....
81-2124RKA	Confined space kit with RP-2009 pump, 10' hose, probe, calibration cap, 34AL H2S (25 ppm)/CO/O2/CH4, reg, padded case, and cal tubing (instrument and charger sold separately) .....



Centro, Inc.  
[www.centro-online.com](http://www.centro-online.com)  
 Email: [orders@centro-online.com](mailto:orders@centro-online.com)  
 Phone: Toll Free(855)223-6876  
 Fax: (901)-357-1379

# Premier Portable Instruments

## GX-2009 Accessories & Replacement Parts

Part#	Description
07-6017RK	Gasket for GX-2009 case, one each .....
07-6018RK	Gasket for buzzer hole, GX-2009 .....
07-6019RK	Sensor chamber gasket for sensor retainer, GX-2009, 1 each .....
07-6021RK	Gasket, sensor retainer, 1 each .....
10-1098RK	Screw with split lock and flat washers for alligator or belt clip, GX-2009, 1 each .....
10-1104RK	Screw for case or sensor retainer, M2 x 10 mm, GX-2001 or GX-2009, 1 each .....
13-0112RK	Wrist strap .....
13-0116RK	Alligator clip, GX-2009 .....
13-0117RK	Belt clip, GX-2009, includes 3 installation screws .....
15-0523RK	Battery charger spring contacts for GX-2009 charger, BC-2009 .....
20-0112RK-01	Padded carrying case for GX-2001 or GX-2009 and accessories .....
20-0112RK-02	Padded carrying case for GX-2001 or GX-2009, aspirator, and cal kit. ....
20-0115RK-01	Padded carrying case for one GX-2009 or 03 series instrument and charger only .....
20-0320RK	Carrying case, camera style for GX-2009, GX-2012, Gas Tracer, GX-2001, or GX-2003 (with logo) .....
20-0324RK	Protective cover for GX-2009, vinyl .....
21-1880RK	Front case, GX-2009 .....
21-1881RK	Case, rear, GX-2009 .....
21-1882RK	Sensor retainer, GX-2009 (inner piece) .....
21-1883RK	Sensor case with PCB assembly, GX-2009 .....
21-1884RK	Sensor cover, GX-2009 (outside piece) .....
21-1885RK	Sensor cap assembly, GX-2009 (8 parts) .....
24-5000RK	Flexible printed circuit (FPC), GX-2009 .....
30-1054RK	Vibration motor for the GX-2009 and GX-6000 .....
33-0172-100	Sensor Cover, water proof, sheet for 4 sensors, GX-2009, pack of 100 sheets .....
33-0172RK	Sensor Cover, water proof, sheet for 4 sensors, GX-2009, 1 each .....
33-1113RK	Metal mesh filter for buzzer hole, GX-2009, 1 each .....
33-7009	Silicone scrubber disk, 5 pack for GX-2009 .....
33-7102RK	Filter, charcoal, for CO sensor, pack of 5, GX-2009/GX-2012/Gas Tracer/GX-6000 .....
33-7114RK	Filter disk, H2S scrubber, strip of 5, for LEL sensor port, GP-01/GX-2001/GX-2009/GX-2012/Gas Tracer/ GX-6000 .....
33-7117RK-01	Filter set for 1 instrument, 1 charcoal disk & 1 H2S scrubber, GX-2009 .....
33-7117RK-05	Filter set for 5 instruments, 5 charcoal disk & 5 H2S scrubbers, GX-2009 .....
45-2430RK	Plug adapter for charger, US to Euro, non-grounded .....
46-3070RK	Connector for combining 2 charger bases (required to join chargers), BC-2009 .....
47-5084RK-01	Downloading cable, USB / IrDA adapter, Windows XP, Windows 7, & Windows 8 compatible (Not needed if computer has built-in IR port) .....
49-0115RK	115 / 220 VAC Adapter for charger, GX-6000/GX-2009/GX-2012/Gas Tracer/EAGLE 2/GX-8000 (charger unit not included) .....
49-1050RK	Battery, memory backup, silver oxide, SR 616, 1.55 volts, GX-2009 and GX-6000 .....
49-1609RK	NIMH battery set with hardware for GX-2009, set of 2 batteries .....
49-2020RK	12 VDC Adapter for charger with vehicle plug (charger base not included), GX-2009/GX-2012/Gas Tracer .....
49-2058RK-04	AC adapter 4 port charger for SDM-2009, SDM-2012, and SDM-03 .....
49-2170RK	Charging station base only, BC-2009 .....
49-2170RK-01	Charging station with 115 / 220 VAC power supply for single instrument, GX-2009 .....
49-2170RK-02	Charging station with 115 / 220 VAC power supply for two instruments, GX-2009 .....
49-2170RK-03	Charging station with 115 / 220 VAC power supply for three instruments, GX-2009 .....
49-2170RK-04	Charging station with 115 / 220 VAC power supply for four instruments, GX-2009 .....
49-2170RK-05	Charging station with 115 / 220 VAC power supply for five instruments, GX-2009 .....
49-2171RK	Charging station with 12 VDC adapter and vehicle adaptor plug for GX-2009 (single unit) .....
51-1119RK	LCD module assembly with flat cable for GX-2009 .....
57-2052RK	PCB main assembly, GX-2009 .....
65-7001RK	Dummy sensor for GX-2009, GX-2012, or GX-6000 empty sensor slots (LEL, O2, H2S, & CO) .....
71-8002RK	Product CD, GX-2009, includes Product Training, Parts List, Data Logging Program, User Setup Program, Operators Manual, and Quick Reference Card .....
81-0090RK-01	Cylinder, CO 50 ppm / Methane 50% LEL / O2 12 % in N2, 34L .....
81-0090RK-03	Cylinder, CO 50 ppm / Methane 50% LEL / O2 12 % in N2, 103L .....
81-0154RK-02	Cylinder, H2S 25 ppm / CO 50 ppm / CH4 50% LEL / O2 12% in N2, 58AL .....
81-0154RK-04	Cylinder, H2S 25 ppm / CO 50 ppm / CH4 50% LEL / O2 12% in N2, 34AL .....





# Premier Portable Instruments

## GX-2009 Accessories & Replacement Parts

Part#	Description
81-0154RK-06-10	Bump test cylinder, H2S 40 ppm / CO 100 ppm / Methane 50% LEL / O2 12% in N2, 11AL aerosol, with balloon and cal cup for GX-2009 .....
81-0154RK-116	Cylinder, H2S 25 ppm / CO 50 ppm / CH4 50% LEL / O2 12% in N2, 116AL.....
81-1050RK	Regulator, with gauge & knob, 17/34L, 0.5 LPM .....
81-1051RK	Regulator, with gauge & knob, 34AL/58AL/103L, 0.5 LPM .....
81-1106RK	Sample adaptor for GX-2001 or GX-2009, rigid plastic, used with RP-6 .....
81-1107RK	Calibration cap for GX-2001 and GX-2009.....
81-1160RK	Hand aspirated sampler, with 10' hose and probe, GX-2001 or GX-2009 .....
81-1160RK-20	Hand aspirated sampler, with 20' hose and probe, GX-2001 or GX-2009 .....



Centro, Inc.  
www.centro-online.com  
Email: orders@centro-online.com  
Phone: Toll Free(855)223-6876  
Fax: (901)-357-1379

# Premier Portable Instruments

## RP-2009 Sample Drawing Pump For GX-2009

All pumps include a 4" rubber nipple for sampling and attach onto the GX-2009. Some versions also include a 10' hose (30' max), and a probe for remote sampling. All RP-2009 pumps include built in dust and hydrophobic filters, and one "AA" alkaline battery.

**Note:** Not available for sale in Canada.



<b>Part#</b>	<b>Description</b>
81-1176RK	RP-2009 pump with 4" rubber nipple for GX-2009 or GX-2001 .....
81-1177RK	RP-2009 pump with 4" rubber nipple, 10' hose and probe for GX-2009 or GX-2001 .....
81-1177RK-20	RP-2009 pump with 4" rubber nipple, 20' hose and probe for GX-2009 or GX-2001 .....

## RP-2009 Accessories & Replacement Parts

<b>Part#</b>	<b>Description</b>
07-2005RK	Gasket, filter/screen retaining, RP-2009/RP-6/GX-2003/GX-2012/Gas Tracer .....
07-2017RK	Housing gasket for sensor chamber, RP-2009 .....
07-6000RK	O-ring for inlet fitting of RP-2009/RP-6/GX-2003/GX-2012/Gas Tracer .....
07-6027RK	O-ring, battery compartment sealing, RP-2009 .....
10-1093RK	Screw M2 x 6 .....
10-1100RK	Screw, 0 x 4.5 mm, flat head phillips, self tapping, stainless steel, GX-2001 .....
11-5090RK	Washer, flat, 2.2 mm x 4.3 mm x 0.3 mm, for sensor adapter retaining, RP-2009 .....
15-0522RK	Batter contact spring, battery cap, RP-2009 .....
17-1000RK	Inlet fitting (also needs o-ring 07-6000RK) .....
17-1001RK	Tapered rubber inlet nozzle, 4", RP-2009/RP-6/GX-2003/GX-2012/Gas Tracer .....
21-1833RK	Filter holder, clear plastic, RP-2009/GX-2003/GX-2012/Gas Tracer/GX-6000 .....
21-1895RK	Battery cap for RP-2009 pump .....
21-1896RK	Main case assembly, RP-2009 .....
21-1897RK	Top case assembly, RP-2009 .....
21-1898RK	Sensor adapter assembly for sensor chamber, RP-2009 .....
29-0648RK	Label, control panel, RP-2009 .....
30-0022RK	Pump replacement for GX-2012/Gas Tracer/RP-2009/GX-6000/FP-31/NC-1000, with cable and connector .....
33-0159RK	Teflon filter disc, 10 pieces, RP-2009/RP-6/GX-2003/GX-2012/Gas Tracer/GX-6000/NC-1000 .....
33-1031RK	Cotton balls, filters for probe, bag of 25 .....
33-1112RK	Wire mesh disk filter, RP-2009/RP-6/GX-2003/GX-2012/Gas Tracer/GX-6000, 10 pack .....
49-1120RK	Size AA alkaline battery .....
80-0009RK-10	Hose, 10', polyurethane, GX-2012/Gas Tracer/GX-20003/RP-2009 .....
80-0009RK-15	Hose, 15', polyurethane, GX-2012/Gas Tracer/GX-20003/RP-2009 .....
80-0009RK-20	Hose, 20', polyurethane, GX-2012/Gas Tracer/GX-20003/RP-2009 .....
80-0009RK-25	Hose, 25', polyurethane, GX-2012/Gas Tracer/GX-20003/RP-2009 .....
80-0009RK-30	Hose, 30', polyurethane, GX-2012/Gas Tracer/GX-20003/RP-2009 .....
80-0150RK	Probe assembly, 10", with cotton ball filter .....
80-0404RK	Dilution fitting, 50:50 for GX-2003/-2012/Gas Tracer/RP-2009/RP-6 .....

### RP-2009 sample pump kit for GX-2009

<b>Part#</b>	<b>Description</b>
81-2120RKA	Confined space kit includes padded case, RP-2009 pump, 10' hose, and probe (instrument and charger sold separately) .....
81-2124RKA	Confined space kit with RP-2009 pump, 10' hose, probe, calibration cap, 34AL H2S (25 ppm)/CO/O2/CH4, reg, padded case, and cal tubing (instrument and charger sold separately) .....



# Gas Detection For Life

## Service Tips

June 22, 2011

### GX-2009 FILTER REPLACEMENT & BATTERY REFRESH

The Model GX-2009 Portable Gas Monitor is a very reliable device. However, like all gas monitors, some routine maintenance is required. In addition to routine calibration or bump testing, there are a few other maintenance related issues that need to be considered:

#### Scrubber filters

There are H<sub>2</sub>S scrubber filters used to protect the CO and LEL sensors. These filters should be replaced every six months, possibly more often in cases where the instrument sees frequent or heavy exposure to H<sub>2</sub>S or heavy hydrocarbons. There is one H<sub>2</sub>S scrubber filter for the LEL sensor, and one charcoal scrubber for the CO sensor.



33-7102RK Charcoal scrubber filter for CO sensor  
Model GX-2009 (pack of 5)



33-7114RK H<sub>2</sub>S scrubber filter for LEL sensor  
Model GX-2009 (pack of 5)

#### Sensor Cover

The hydrophobic sensor cover protects the sensors from intrusion of water or particulates. This filter should be replaced as needed when contaminated by fluids or particulates.

33-0172RK Waterproof Sensor Cover, Model GX-2009 (each)

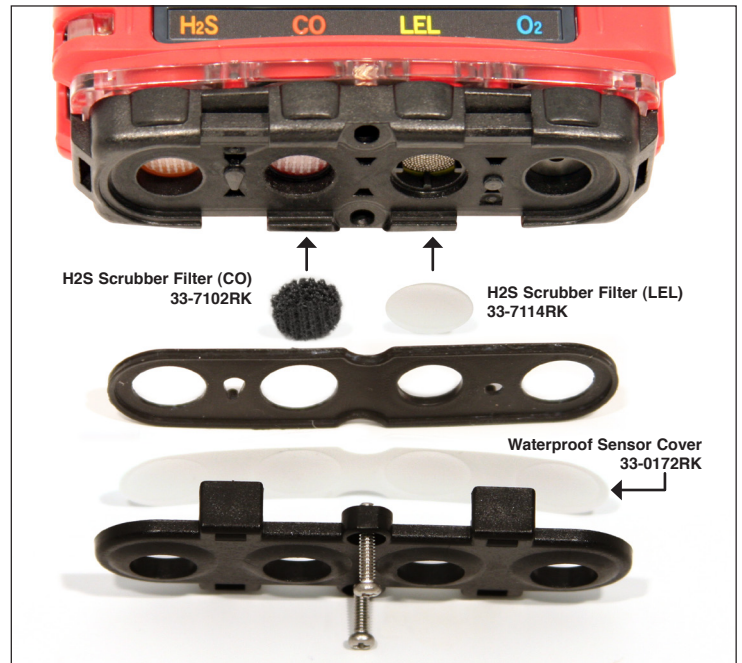


#### Filter and Cover Combo Sets:

33-7102RK-100 H<sub>2</sub>S scrubber filter (pack of 100)

33-7117RK-01 Filter set, (includes one H<sub>2</sub>S scrubber filter/one charcoal filter and one sensor cover filter)

33-7117RK-05 Filter set, 5-pack, Model GX-2009 (includes five H<sub>2</sub>S scrubber filter/five charcoal filters and five sensor cover filters)



#### Battery Refresh Cycle

The rechargeable NiMH batteries used in the GX-2009 are generally quite resistant to the “memory” effect associated with rechargeable batteries. The charger for the GX-2009 is a “smart” charger, designed to minimize the possibility of improper charging. However, over time the battery capacity may be diminished depending on how the unit is used and charged. It is recommended that a refresh cycle be performed every six months, or when battery capacity seems to be diminished.



Please refer to the GX-2009 Operator's Manual or Training Video for filter replacement and battery Refresh procedures. [www.rkiinstruments.com/pages/gx2009.htm](http://www.rkiinstruments.com/pages/gx2009.htm)