

General Service Pressure Switches (931P Series)

Applications

- Paper and food industry
- Shock & vibration application
- Corrode suspended solid
- Vicious or frozen medium
- Chemical & petrochemical
- Pumps, compressors and regulators
- Refining & marine industry

Pressure Limitation

- Steady : full scale value
- Fluctuating : 0.9 of full scale value
- Short time : 1.3 of full scale value

Operating Temperature

- Ambient : -20 ~ 65°C
- Media (Fluid) : + 100°C maximum



Special Notes

1. Other Process Connections are available as option.

Standard Specification Overview

Dial Size

- Square Shape

Repeatability

- $\pm 1.5\%$ of Full Scale

Scale Ranges

- Vacuum, Compound & 0 ~ 35 MPa
- * For more information, see the ordering information table.

Process Connection

- PF ("G" in ISO) 3/8", PT ("R" in ISO) 1/2"

Conduit Connection

- PF 3/8"

Contact

- Micro Contact Type
- One SPDT or Two SPDT

Dead Band

- 10% of Full Scale

Material

- Case & Ring : Aluminum Alloy
- Connection : 316 SS
- Element (Bourdon Tube) : 316 SS

Degree of Protection

- IP 65

Switch Contacts

- AC 125V, 15A / 250V, 15A
- DC 30V, 6A / 125V 0.5A / 250V, 0.25A

Optional Extra

- Test Report by Manufacturer
- Test Report by KOLAS (ILAC-MRA)
- Material Certificate (Mill Sheet)
- Mounting Bracket

Ordering Information for 931P Series

● = Standard Products ▲ = Available NA = Not Available

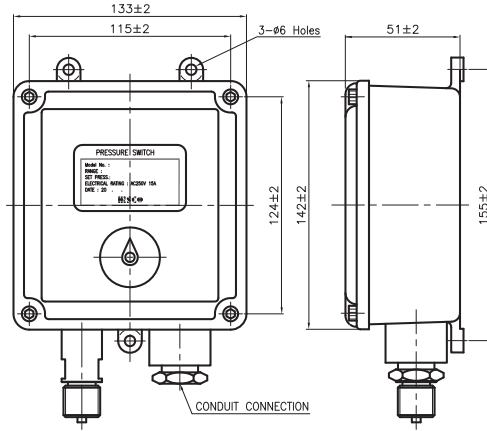
Model	Description	Case & Cover	Wetted Parts	
931P	General Service Pressure Switches	Aluminum Alloy	316 SS	
Code	Dial Size	Repeatability		
SQ	Square Shape	± 1.5% of F.S.		
Code	Mounting Type			SQ
B	Bottom Connection with Back Mounting Flange			●
Code	Process Connection Style			SQ
2	PT ("R" in ISO Standard)			●
3	PF ("G" in ISO Standard)			▲
4	NPT			▲
X	Others			☞
Code	Process Connection Size			SQ
D	3/8"			▲
F	1/2"			●
Code	Pressure Range	S1 (1P)	S2 (2P)	
001	-0.1 ~ 0 MPa	●	NA	
002	-0.1 ~ 0.1 MPa	●	NA	
003	-0.1 ~ 0.2 MPa	●	NA	
004	-0.1 ~ 0.3 MPa	●	NA	
005	-0.1 ~ 0.4 MPa	●	NA	
006	-0.1 ~ 0.6 MPa	●	NA	
007	-0.1 ~ 1 MPa	●	NA	
008	-0.1 ~ 1.5 MPa	●	NA	
009	-0.1 ~ 2 MPa	●	NA	
112	0 ~ 0.1 MPa	●	●	
113	0 ~ 0.2 MPa	●	●	
114	0 ~ 0.3 MPa	●	●	
115	0 ~ 0.4 MPa	●	●	
116	0 ~ 0.6 MPa	●	●	
118	0 ~ 1 MPa	●	●	
119	0 ~ 1.5 MPa	●	●	
120	0 ~ 2 MPa	●	●	
121	0 ~ 2.5 MPa	●	●	
122	0 ~ 3.5 MPa	●	●	
124	0 ~ 5 MPa	●	●	
126	0 ~ 7 MPa	●	●	
127	0 ~ 10 MPa	●	●	
128	0 ~ 15 MPa	●	●	
129	0 ~ 25 MPa	●	●	
130	0 ~ 35 MPa	●	●	

* MPa (SI Unit) is the standard dial scale but others are available upon request.

Code	Contact Location	SQ
S1	One SPDT (Single Change - Over Contact)	●
S2	Two SPDT (Single Change - Over Contact)	●
Code	Applicable Accessory Options	
J0	Not Apply	
J1	Adapter	
J2	Gauge Unions	
J3	Syphon Tubes	
J4	Pulsation Dampeners	
J5	Pressure Snubber	
J7	Gauge Savers (Gauge Protectors)	
J8	Safety Kloser	
J9	Manifold Valves	
Code	Options	SQ
Test Reports		
T1	Test Report by Manufacturer	▲
T2	Test Report by KOLAS (ILAC-MRA)	▲
Other Option		
M1	Material Certificate (Mill Sheet)	▲
M2	Mounting Bracket	▲
Sample Model Selection : 931PSQB2D112S1J0		
* The standard specification and price are subject to change without prior notice.		

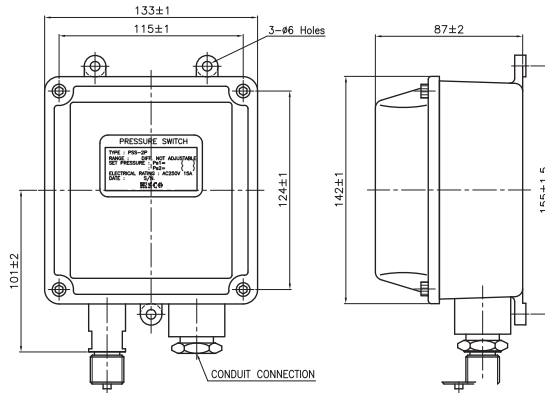
General Service Pressure Switches (931P Series)

Single Set point

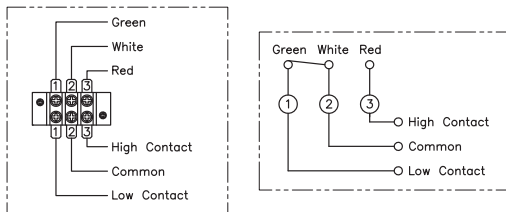


TYPE B

Dual Set point



• Pressure Switch Wiring Diagram



• Ratings

Rated voltage	Non-inductive load (A)	
	Resistive load	
	NC	NO
125 VAC	15 (10) *	
250 VAC	15 (10) *	
500 VAC *	10	
8 VDC	15	
14 VDC	15	
30 VDC	2	
125 VDC	0.4	
250 VDC	0.2	

HISCO HISCO, INC.

32, Seonyu-ro 43-gil, Yeongdeungpo-gu, Seoul, Korea
 T : 82-2-2677-6046 F : 82-2-2672-1873 <http://www.hiscoi.com>