

# Indicating Pressure Switches (901P Series)

## Applications

- Automatic regulation of hydraulic and pneumatic equipment.
- Suitable for both corrosive and non-corrosive applications.
- Monitoring of plants and switching of electric circuits
- Indication of limit values
- Inductive alarm contacts for safe switching, even in explosive hazardous areas "In machine and plant construction, chemical and petrochemical industry", "power plants, mining, onshore and offshore and environmental engineering"

## Pressure Limitation

- Steady : full scale value
- Fluctuating : 0.9 of full scale value
- Short time : 1.3 of full scale value

## Operating Temperature

- Ambient : -40 ~ 65°C
- Media (Fluid) : +100°C maximum



## Special Notes

1. Other Process Connections are available as option.

## Standard Specification Overview

### Dial Size

- 100mm (4"), 150mm (6")

### Repeatability

- $\pm 1.5\%$  of Full Scale

### Reference Accuracy

- $\pm 1.0\%$  of Full Scale

### Scale Ranges

- Vacuum, Compound & 0 ~ 35 MPa
- \* For more information, see the ordering information table.

### Process Connection

- PF ("G" in ISO) 3/8", PT ("R" in ISO) 1/2"

### Conduit Connection

- M20 X 1.5P

### Contact

- Micro Contact Type One SPDT or Two SPDT

### Material

- Case & Ring : Aluminum Alloy
- Window : Safety Glass
- Pointer : Aluminum Alloy, Black Finished
- Connection : 316 SS
- Element (Bourdon Tube) : 316 SS
- Movement : Stainless steel
- Dial : White Aluminum with Black Graduations

### Degree of Protection

- IP 54

### Switch Contacts

- AC 125V, 5A / 250V, 3A

### Optional Extra

- Internal Adjustable Setting Point
- Test Report by Manufacturer
- Test Report by KOLAS (ILAC-MRA)
- Material Certificate (Mill Sheet)

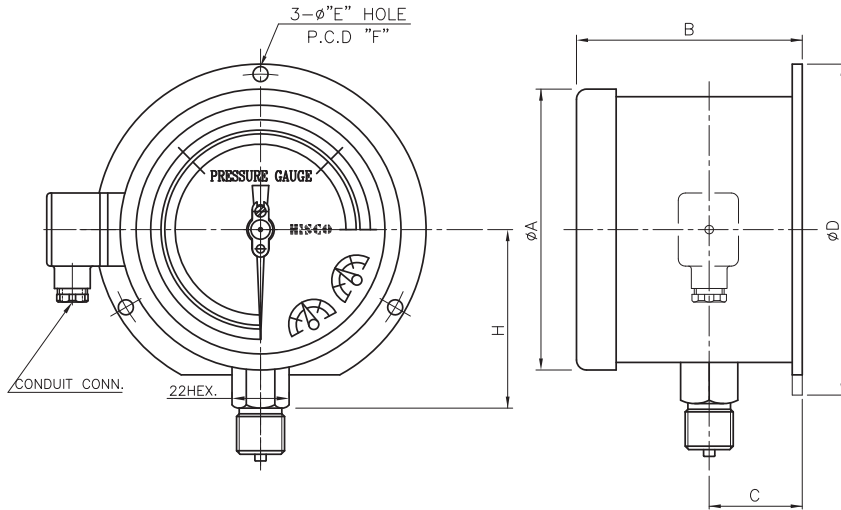
## Ordering Information for 901P Series

● = Standard Products   ▲ = Available   NA = Not Available

Model	Description	Case & Cover	Wetted Parts	
901P	Indicating Pressure Switches	Aluminum Alloy	316 SS	
Code	Dial Size	Repeatability	901P	
40	100mm (4")	± 1.5% of F.S.	●	
60	150mm (6")	± 1.5% of F.S.	●	
Code	Mounting Type		40	60
B	Bottom Connection with Back Mounting Flange		●	●
Code	Process Connection Style		40	60
2	PT ("R" in ISO Standard)		●	●
3	PF ("G" in ISO Standard)		▲	▲
4	NPT		▲	▲
X	Others		☉	☉
Code	Process Connection Size		40	60
D	3/8"		▲	▲
F	1/2"		●	●
Code	Pressure Range		40	60
001	-0.1 ~ 0 MPa		●	●
002	-0.1 ~ 0.1 MPa		●	●
003	-0.1 ~ 0.2 MPa		●	●
004	-0.1 ~ 0.3 MPa		●	●
005	-0.1 ~ 0.4 MPa		●	●
006	-0.1 ~ 0.6 MPa		●	●
007	-0.1 ~ 1 MPa		●	●
008	-0.1 ~ 1.5 MPa		●	●
009	-0.1 ~ 2 MPa		●	●
111	0 ~ 0.05 MPa		●	●
112	0 ~ 0.1 MPa		●	●
113	0 ~ 0.2 MPa		●	●
114	0 ~ 0.3 MPa		●	●
115	0 ~ 0.4 MPa		●	●
116	0 ~ 0.6 MPa		●	●
118	0 ~ 1 MPa		●	●
119	0 ~ 1.5 MPa		●	●
120	0 ~ 2 MPa		●	●
121	0 ~ 2.5 MPa		●	●
122	0 ~ 3.5 MPa		●	●
124	0 ~ 5 MPa		●	●
126	0 ~ 7 MPa		●	●
127	0 ~ 10 MPa		●	●
128	0 ~ 15 MPa		●	●
129	0 ~ 25 MPa		●	●

130	0 ~ 35 MPa		●	●
* MPa (SI Unit) is the standard dial scale but others are available upon request.				
<b>Code</b>	<b>Contact Location</b>		<b>40</b>	<b>60</b>
S1	One SPDT (Single Change - Over Contact)		●	●
S2	Two SPDT (Single Change - Over Contact)		●	●
<b>Code</b>	<b>Applicable Accessory Options</b>			
J0	Not Apply			
J1	Adapter			
J2	Gauge Unions			
J3	Syphon Tubes			
J4	Pulsation Dampeners			
J5	Pressure Snubber			
J7	Gauge Savers (Gauge Protectors)			
J8	Safety Kloser			
J9	Manifold Valves			
<b>Code</b>	<b>Options</b>		<b>40</b>	<b>60</b>
Test Reports				
T1	Test Report by Manufacturer		▲	▲
T2	Test Report by KOLAS (ILAC-MRA)		▲	▲
Sample Model Selection : 901P60B2D005S1J0				
* The standard specification and price are subject to change without prior notice.				

## Indicating Pressure Switches (901P Series)



[UNIT : mm]

Code	Dial Size	A	B	C	D	E	F	H
40	$\phi 100$	116	102	45	132	5.5	122.5	76
60	$\phi 150$	172	110	46	190	5.5	174	111

### • Ratings

[UNIT : mm]

Rated voltage	Resistive load
125VAC	5A
250VAC	3A

**HISCO** HISCO, INC.

32, Seonyu-ro 43-gil, Yeongdeungpo-gu, Seoul, Korea  
 T : 82-2-2677-6046 F : 82-2-2672-1873 <http://www.hiscoi.com>